

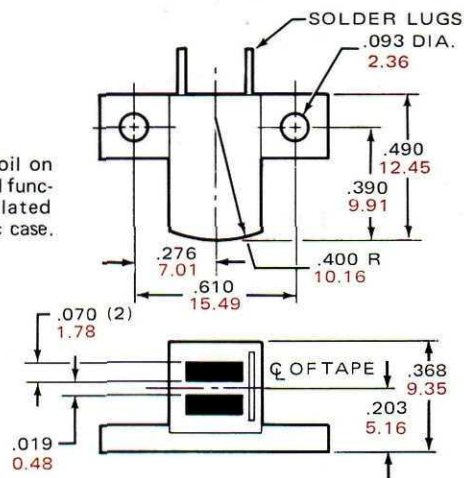
## Contactor Heads/Dummy Heads

### PHYSICAL CONFIGURATIONS

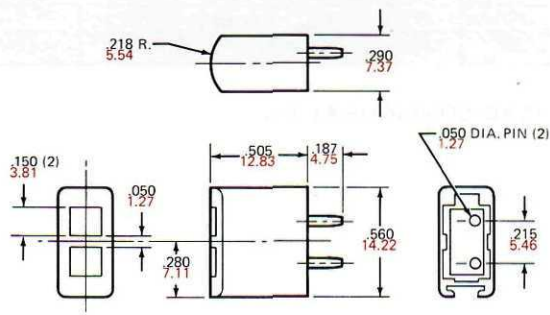
NOTE:  
INCHES IN BLACK  
MILLIMETERS IN COLOR

### CONTACTOR HEAD - .150 TAPE MODEL WCH3

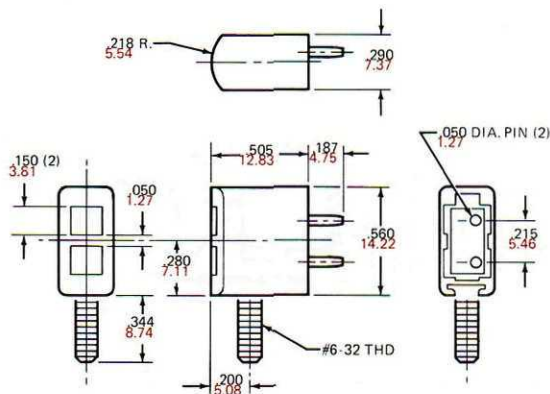
For use with metal foil on tape to actuate control functions. Has two insulated contact shoes, plastic case.



### BASIC HEAD CONFIGURATION - NO MOUNT



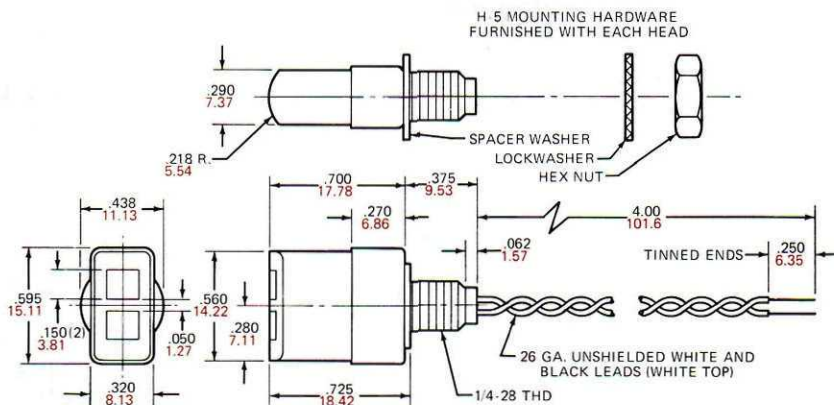
### HEAD WITH BASE MOUNT CONFIGURATION



### CONTACTOR HEAD - .250" TAPE MODEL CH3

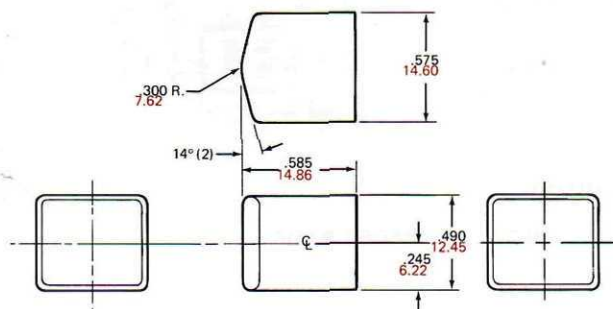
For use with metal foil on tape to actuate control functions. Has two insulated contact shoes, plastic case.

### HEAD WITH REAR MOUNT CONFIGURATION



**DUMMY HEADS** Used to provide a tape support surface in applications where all positions of the head nest are not used. Same face finish and contour as regular heads. Supplied in standard mount configurations.

### DUMMY HEAD - NO MOUNT SPECIFY: H801016



### DUMMY HEAD - REAR MOUNT SPECIFY: H80103

