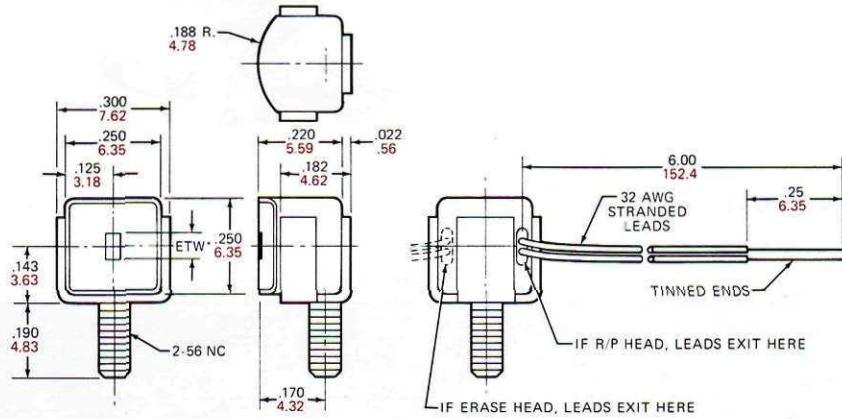
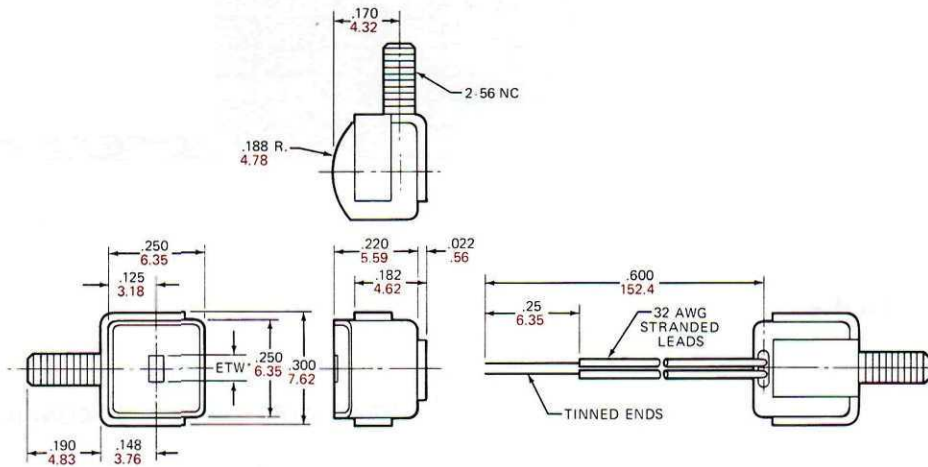


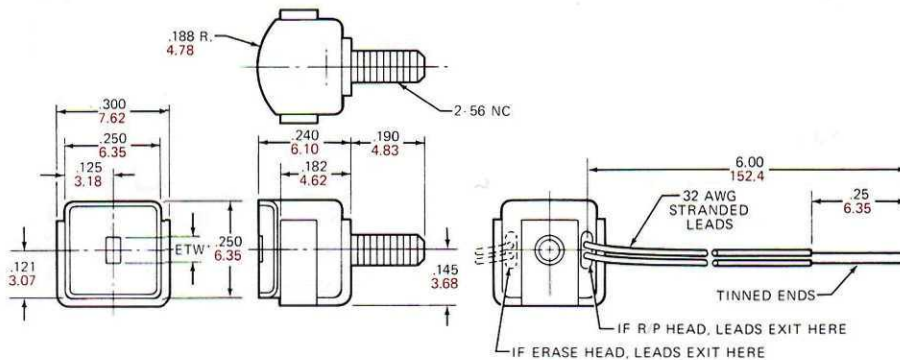
HEAD WITH BASE MOUNT CONFIGURATION



HEAD WITH SIDE MOUNT CONFIGURATION



HEAD WITH REAR MOUNT CONFIGURATION



.070 R/P HEAD
 1.78
 * ETW =
 .090 ERASE HEAD
 2.29