

## Miniature Type "M" Head R/P & Erase



### PHYSICAL CONFIGURATIONS

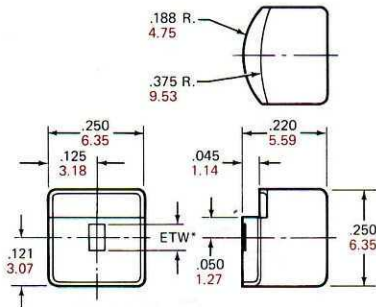
NOTE:  
INCHES IN BLACK  
MILLIMETERS IN COLOR

#### FACE-RELIEF OPTION:

MINIATURE "M" HEAD WITH #3  
FACE RELIEF.

To specify: Add 3 to Part # following Gap  
Designator

Example: M70R4L3-NX-6U



\*ETW = .070 R/P HEAD  
1.78  
.090 ERASE HEAD  
2.29

### R/P DATA

ELECTRICAL	MODEL NUMBER		
	M70R3L M70R3L3	M70R4L M70R4L3	M70R5L M70R5L3
Head Function (Typical)	Record/ Playback	Record/ Playback	Record/ Playback
Inductance - 1 kHz, millihenrys	95	20	200
Impedance - 1 kHz, ohms	700	150	1500
Resistance, D.C., Mono, ohms	340	80	700
Gap Length, microinches	160	160	160
<b>Average 7.5 IPS constant current record/playback characteristics using 3M150 tape peak biased @ 1 kHz and recorded 12 dB below tape saturation</b>			
Peak Bias Current, 60 kHz, ma	.97	2	.6
Bias Voltage, RMS, 60 kHz, volts	16.3	9	25
Record Current, microamps	48	100	33
1 kHz Output, millivolts	1.4	.75	2.2
10 kHz/1 kHz Ratio, dB	-3	-3	-3
<b>Average 3.75 IPS constant current record/playback characteristics using 3M150 tape peak biased @ 1 kHz and recorded 12 dB below tape saturation</b>			
Peak Bias Current, 60 kHz, ma	.83	1.7	.5
Bias Voltage, RMS, 60 kHz, volts	14	7.6	21
Record Current, microamps	45	85	30
1 kHz Output, millivolts	1.1	.7	1.8
10 kHz/1 kHz Ratio, dB	-15	-15	-15

### ERASE DATA

ELECTRICAL	MODEL NUMBER	
	M90E3U M90E3U3	M90E4U M90E4U3
Inductance @ 1 kHz, millihenrys	16	6
Resistance, D.C., ohms	315	83
<b>Operating characteristics for a minimum of 45 dB erasure of saturated 400 CPS on 3M 150 tape</b>		
Erase Voltage @ 60 kHz, volts	50	45
Erase Current, ma	12	30
Impedance, 60 kHz, ohms	4000	1500

### BASIC HEAD CONFIGURATIONS – NO MOUNT

