

## SEQ Quarter Track Stereo Erase



### PHYSICAL CONFIGURATIONS

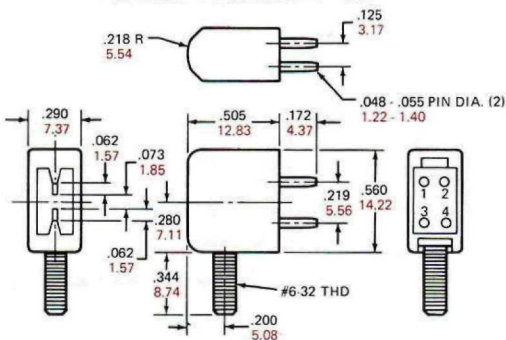
NOTE:  
INCHES IN BLACK  
MILLIMETERS IN COLOR

ELECTRICAL	MODEL NUMBER		
	SEQ 1	SEQ 2	SEQ 4
Inductance - 1 kHz - millihenrys	80	0.13	10
Resistance, D.C., ohms	240	1.8	31
Track Width, inches	.062	.062	.062
Gap Length, Double Gap, each	.003	.003	.003
<b>Typical characteristics for 60 dB erasure of a 400 Hz saturated signal on 3M150 tape</b>			
Erase Voltage - 60 kHz, volts	120	5	40
Erase Current, ma	5	120	12
Impedance - 60 kHz, ohms	30,000	40	3,250

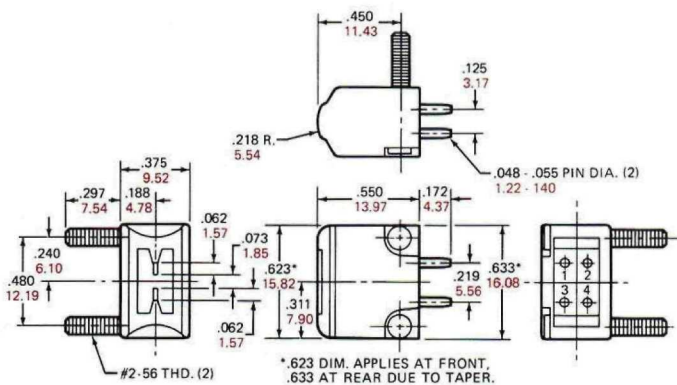
#### NOTES:

1. Head also available as mono-single track version, on a custom order basis—contact Nortronics
2. Head also available in "B" size case, see page 40

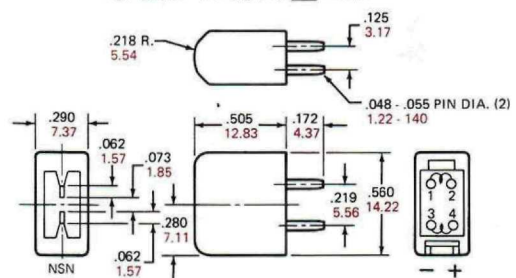
#### HEAD WITH BASE MOUNT CONFIGURATION SPECIFY: SSEQ\_\_-B3



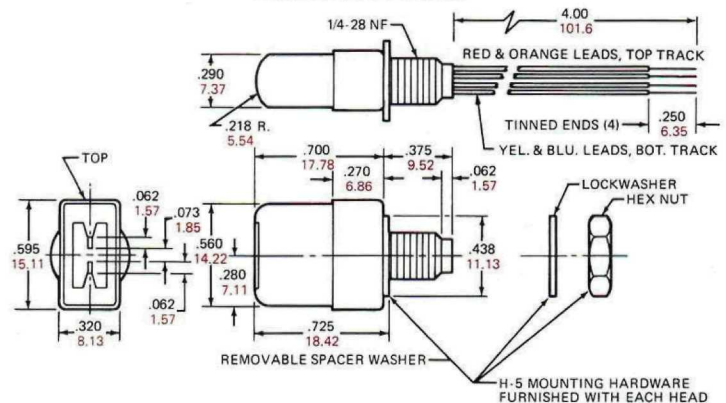
#### HEAD WITH SIDE MOUNT CONFIGURATION SPECIFY: LSEQ\_\_-S23



#### BASIC HEAD CONFIGURATION - NO MOUNT SPECIFY: SSEQ\_\_-N9



#### HEAD WITH REAR MOUNT CONFIGURATION SPECIFY: SSEQ\_\_-R-4U UNSHIELDED LEADS



#### HEAD WITH REAR MOUNT CONFIGURATION SPECIFY: SSEQ\_\_-R-12S SHIELDED LEADS

