

MEH Half Track Mono Erase

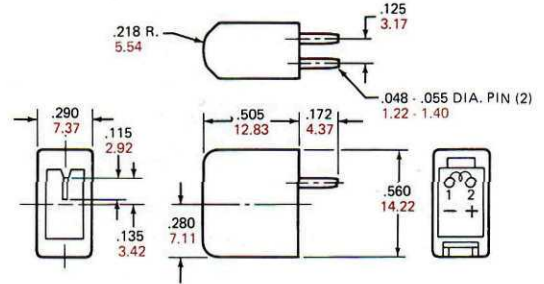


PHYSICAL CONFIGURATIONS

NOTE:
INCHES IN BLACK
MILLIMETERS IN COLOR

ELECTRICAL	MODEL NUMBER		
	MEH 1	MEH 2	MEH 4
Inductance - 1 kHz - millihenrys	50	0.2	10
Resistance, D.C., ohms	130	1.8	27
Track Width, inches	.110	.110	.110
Gap Length, Double Gap, each	.003	.003	.003
Typical characteristics for 60 dB erasure of a 400 Hz saturated signal on 3M150 tape			
Erase Voltage - 60 kHz, volts	120	6	40
Erase Current, ma	10	100	20
Impedance - 60 kHz, ohms	12,000	55	2,500

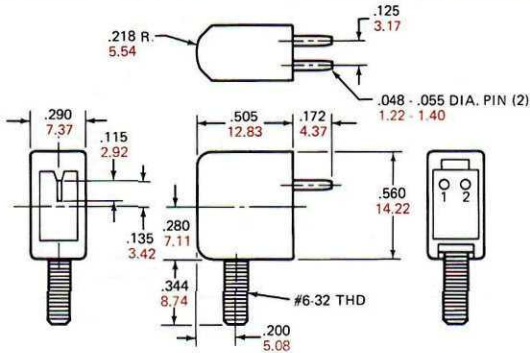
BASIC HEAD CONFIGURATION - NO MOUNT



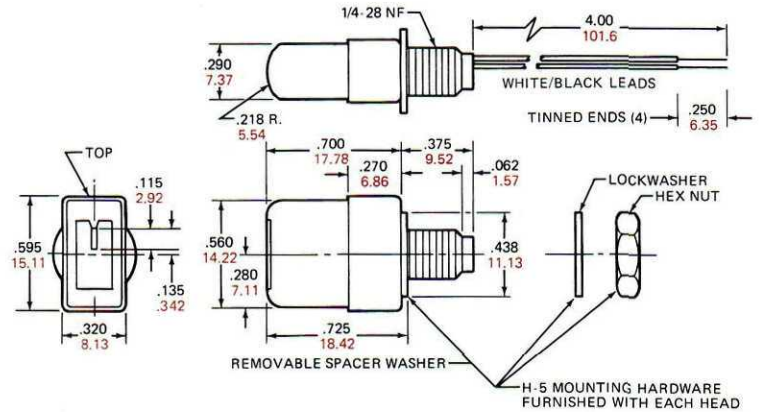
NOTE: Head also available in "B" size case, see page 40

HEAD WITH BASE MOUNT CONFIGURATION

HEAD WITH BASE MOUNT CONFIGURATION AS SHOWN TRACK UP - SPECIFY: -B3U FOR ERASE TRACK IN LOWER POSITION SPECIFY: -B3D

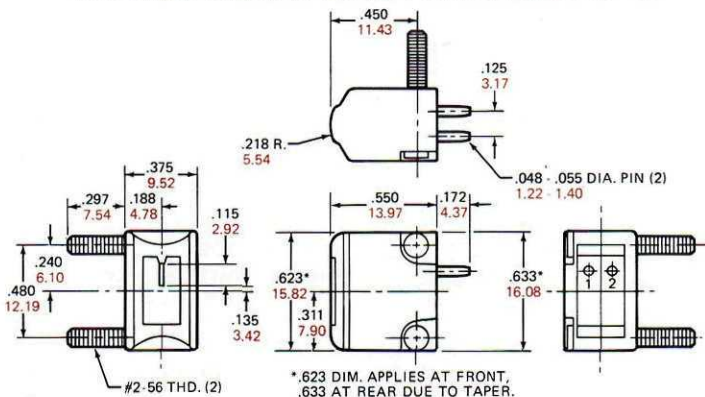


HEAD WITH REAR MOUNT CONFIGURATION UNSHIELDED LEADS



HEAD WITH SIDE MOUNT CONFIGURATION

HEAD WITH SIDE MOUNT CONFIGURATION AS SHOWN SPECIFY: -SU FOR ERASE TRACK IN LOWER POSITION SPECIFY: -SD



HEAD WITH REAR MOUNT CONFIGURATION SHIELDED LEADS

