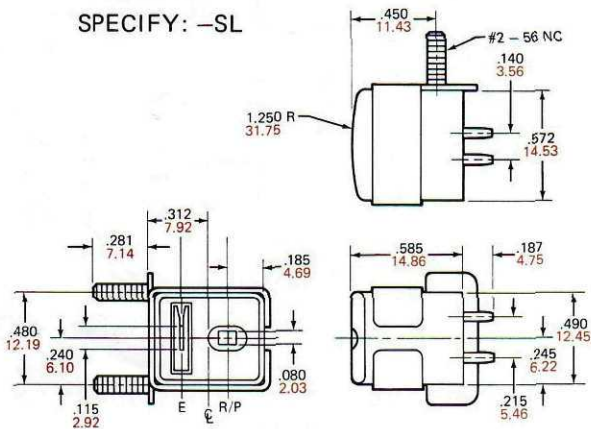


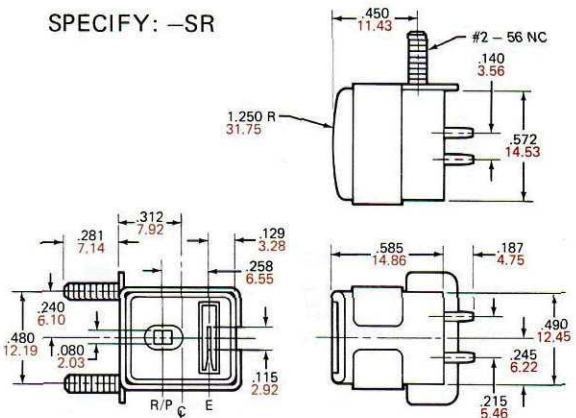
ELECTRICAL (R/P SECTION)	PREMIUM SERIES				STANDARD SERIES			
	MODEL NUMBER				MODEL NUMBER			
	P-A1HC 44K	P-A1HC 44R	P-A1HC 47K	P-A1HC 48R	A1HC 44K	A1HC 44R	A1HC 47K	A1HC 15L
Head Function	Record/ Playback	Record Only	Record/ Playback	Record Only	Record/ Playback	Record Only	Record/ Playback	Record/ Playback
Inductance - 1 kHz - millihenrys	100	50	400	10	100	50	400	450
Impedance - 1 kHz - ohms	650	320	2,550	75	650	340	2,650	3,000
Resistance, D.C., Mono, ohms	70	70	160	28	70	70	180	340
Gap Length, microinches	100	500	100	500	100	500	100	160
Average 7.5 IPS constant current record/playback characteristics using 3M150 tape peak biased @ 1 kHz and recorded 12 dB below tape saturation								
Peak Bias Current, 60 kHz, ma	0.65	0.70	0.22	1.7	1.2	0.9	0.53	0.30
Bias Voltage, RMS, 60 kHz, volts	17	9.0	36	4.3	23	11	42	36
Record Current, microamps	58	75	30	180	65	63	32	24
1 kHz Output, millivolts	1.5	—	2.4	—	1.1	—	2.1	2.6
10 kHz/1 kHz ratio, dB	+1.0	—	+1.0	—	-1.0	—	-1.0	-7
Average 3.75 IPS constant current record/playback characteristics using 3M150 tape peak biased @ 1 kHz and recorded 12 dB below tape saturation								
Peak Bias Current, 60 kHz, ma	0.55	0.60	0.20	1.5	1.1	0.85	0.44	.25
Bias Voltage, RMS, 60 kHz, volts	14	8.0	32	3.8	18	10	36	30
Record Current, microamps	51	65	28	160	60	60	30	21
1 kHz Output, millivolts	1.2	—	2.1	—	0.9	—	1.9	2.4
10 kHz/1 kHz ratio, dB	-9	—	-9	—	-11	—	-11	-12
ELECTRICAL (ERASE SECTION)								
Inductance - 1 kHz - millihenrys	10	10	10	10	10	10	10	50
Resistance, D.C., ohms	27	27	27	27	27	27	27	130
Track Width, inches	.110	.110	.110	.110	.110	.110	.110	.110
Gap Length, Double Gap, each	.003	.003	.003	.003	.003	.003	.003	.003
Typical characteristics for 60 dB erasure of a 400 Hz saturated signal on 3M150 tape								
Erase Voltage - 60 kHz, volts	40	40	40	40	40	40	40	120
Erase Current, ma	20	20	20	20	20	20	20	10
Impedance - 60 kHz, ohms	2,500	2,500	2,500	2,500	2,500	2,500	2,500	12,000

HEAD WITH SIDE MOUNT CONFIGURATION

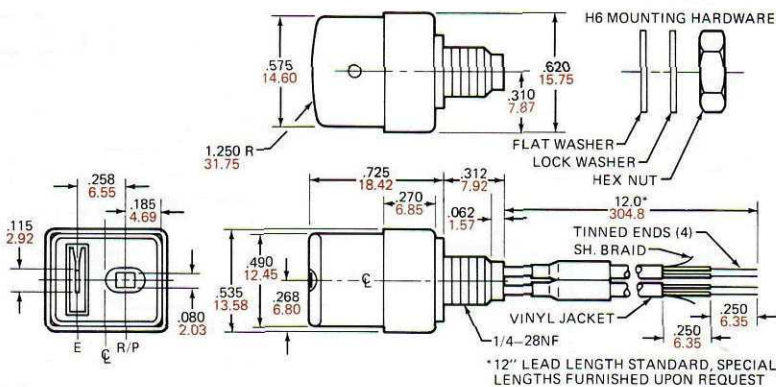
SPECIFY: -SL



SPECIFY: -SR



HEAD WITH REAR MOUNT CONFIGURATION



COLOR CODE:
ERASE: WHITE/BLACK
R/P: RED/ORANGE

*12" LEAD LENGTH STANDARD, SPECIAL LENGTHS FURNISHED UPON REQUEST