

DESIGN DATA

NORTRONICS

AUDIO HEADS

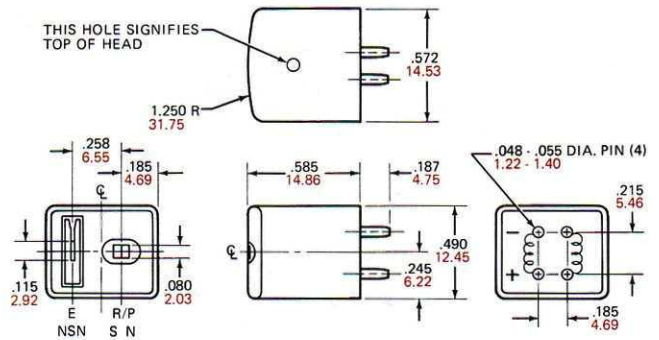
P-A1HC & A1HC Half Track Mono Combination Erase and R/P

0.080" SINGLE CHANNEL



PHYSICAL CONFIGURATIONS

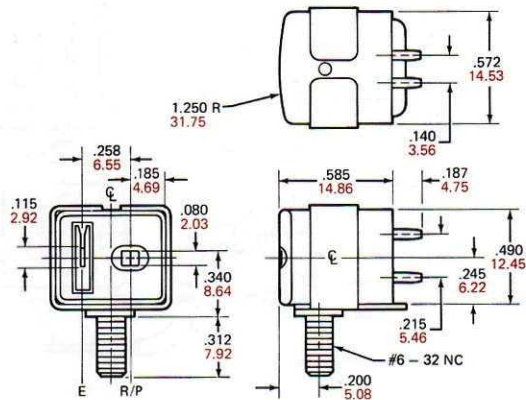
BASIC HEAD CONFIGURATION – NO MOUNT



NOTE:
INCHES IN BLACK
MILLIMETERS IN COLOR

HEAD WITH BASE MOUNT CONFIGURATION

SPECIFY: -BL



SPECIFY: -BR

