

## P-B1HY – PREMIUM SERIES

ELECTRICAL	MODEL NUMBER									
	P-B1HY 4K	P-B1HY 4R	P-B1HY 6K	P-B1HY 7K	P-B1HY 7F	P-B1HY 12K	P-B1HY 8K	P-B1HY 8R	P-B1HY 9K	P-B1HY 14R
Head Function – Typical	Record/ Playback	Record Only	Record/ Playback	Record/ Playback	Playback Only	Record/ Playback	Record/ Playback	Record Only	Record/ Playback	Record Only
Inductance – 1 kHz - millihenrys	100	50	200	400	400	50	20	10	10	2.0
Impedance – 1 kHz - ohms	650	320	1300	2550	2500	350	110	75	65	15
Resistance, D.C., Mono, ohms	70	70	110	160	155	50	24	28	20	5
Gap Length, microinches	100	500	100	100	50	100	100	500	100	500
<b>Average 7.5 IPS constant current record/playback characteristics using 3M150 tape peak biased @ 1 kHz and recorded 12 dB below tape saturation</b>										
Peak Bias Current, 60 kHz, ma	0.65	0.70	0.40	0.22	.25	1.3	1.9	1.9	2.9	4.3
Bias Voltage, RMS, 60 kHz, volts	17	9.0	30	36	35	16	10	5.0	7.5	3.3
Record Current, microamps	58	75	45	30	31	80	145	170	210	280
1 kHz Output, millivolts	1.5	–	1.8	2.4	2.5	0.8	.64	–	.40	–
10 kHz/1 kHz ratio, dB	+1.0	–	+1.0	+1.0	+2.0	0	+1	–	0	–
<b>Average 3.75 IPS constant current record/playback characteristics using 3M150 tape peak biased @ 1 kHz and recorded 12 dB below tape saturation</b>										
Peak Bias Current, 60 kHz, ma	0.55	0.60	0.30	0.20	.22	1.1	1.7	1.7	2.5	4.0
Bias Voltage, RMS, 60 kHz, volts	14	8.0	25	32	42	14.5	8	4.5	6.5	2.9
Record Current, microamps	51	65	40	28	31	75	130	160	200	260
1 kHz Output, millivolts	1.2	–	1.2	2.1	2.0	0.65	.5	–	.32	–
10 kHz/1 kHz ratio, dB	-9	–	-9	-9	-7	-9	-9	–	-9	–

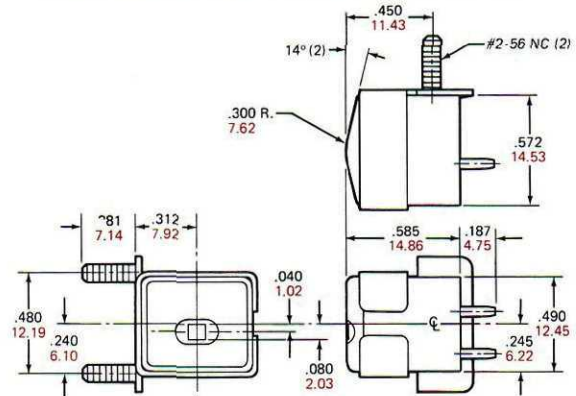
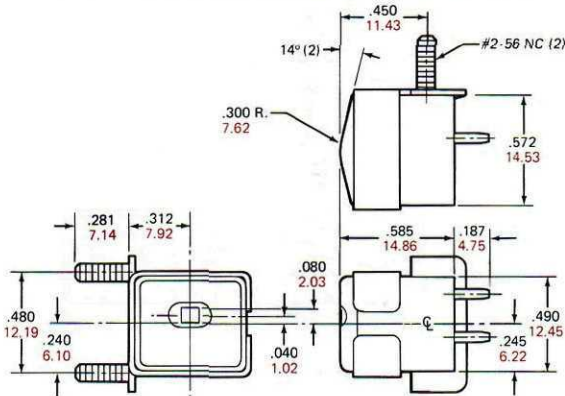
### HEAD WITH SIDE MOUNT CONFIGURATION

TRACK ABOVE CENTER LINE

SPECIFY: SU

TRACK BELOW CENTER LINE

SPECIFY: SD



### HEAD WITH REAR MOUNT CONFIGURATION

UNSHIELDED LEADS

SHIELDED LEADS

