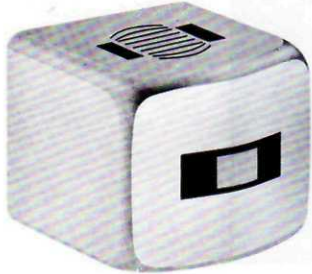


B1HC & P-B1HC Half Track Mono R/P 0.080" SINGLE CHANNEL



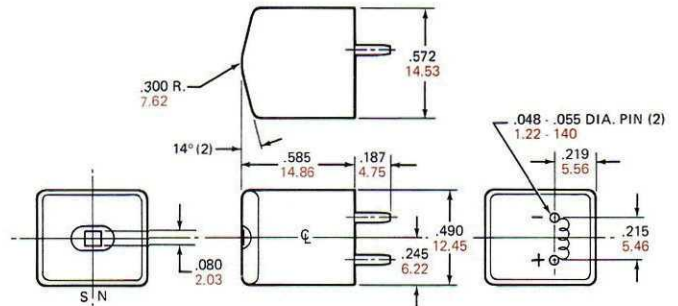
B1HC – STANDARD SERIES

ELECTRICAL	MODEL NUMBER			
	B1HC 4K	B1HC 7K	B1HC 27L	B1HC 8R
Head Function – Typical	Record/Playback	Record/Playback	Playback	Record Only
Inductance – 1 kHz - millihenrys	100	400	4000	10
Impedance – 1 kHz - ohms	650	2650	17,000	71
Resistance, D.C., Mono, ohms	70	180	2400	28
Gap Length, microinches	100	100	160	500
Average 7.5 IPS constant current record/playback characteristics using 3M150 tape peak biased @ 1 kHz and recorded 12 dB below tape saturation				
Peak Bias Current, 60 kHz, ma	1.2	0.53	–	2.2
Bias Voltage, RMS, 60 kHz, volts	23	42	–	4.9
Record Current, microamps	65	32	–	135
1 kHz Output, millivolts	1.1	2.1	10.0	–
10 kHz/1 kHz ratio, dB	-1.0	-1.0	+1.0	–
Average 3.75 IPS constant current record/playback characteristics using 3M150 tape peak biased @ 1 kHz and recorded 12 dB below tape saturation				
Peak Bias Current, 60 kHz, ma	1.1	0.44	–	2.0
Bias Voltage, RMS, 60 kHz, volts	18	36	–	4.5
Record Current, microamps	60	30	–	126
1 kHz Output, millivolts	0.9	1.9	–	–
10 kHz/1 kHz ratio, dB	-11	-11	–	–

PHYSICAL CONFIGURATIONS

NOTE:
INCHES IN BLACK
MILLIMETERS IN COLOR

BASIC HEAD CONFIGURATION – NO MOUNT



HEAD WITH BASE MOUNT CONFIGURATION

