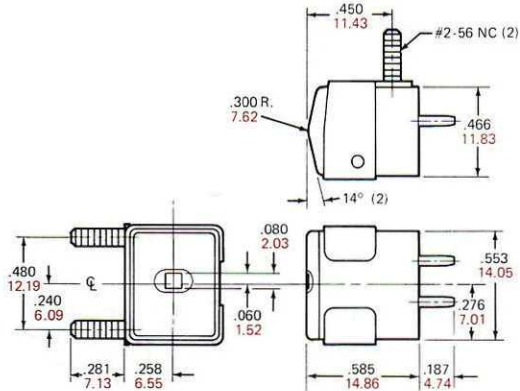


G1HY – STANDARD SERIES

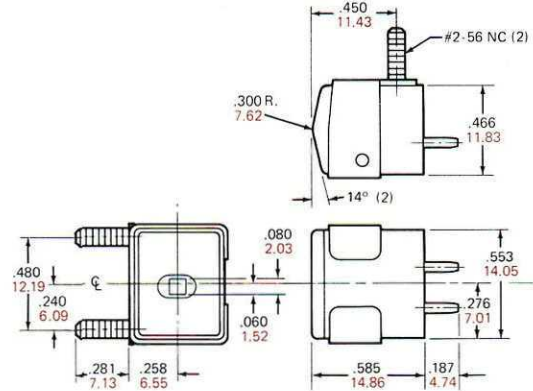
ELECTRICAL	MODEL NUMBER		
	G1HY 5L	G1HY 7K	G1HY 2K
Head Function	Record/Playback	Record/Playback	Record/Playback
Inductance - 1 kHz - millihenrys	450	400	800
Impedance - 1 kHz - ohms	3,000	2650	5000
Resistance, D.C. Mono, ohms	340	410	400
Gap Length, microinches	160	100	100
Average 7.5 IPS constant current record/playback characteristics using 3M150 tape peak biased @ 1 kHz and recorded 12 dB below tape saturation			
Peak Bias Current, 60 kHz, ma	0.30	0.53	0.4
Bias Voltage, RMS, 60 kHz, volts	36	42	65
Record Current, microamps	24	32	25
1 kHz Output, millivolts	2.6	2.1	3.4
10 kHz/1 kHz Ratio, dB	-7	-1.0	-1.0
Average 3.75 IPS constant current record/playback characteristics using 3M150 tape peak biased @ 1 kHz and recorded 12 dB below tape saturation			
Peak Bias Current, 60 kHz, ma	.25	0.44	0.3
Bias voltage, RMS, 60 kHz, volts	30	36	45
Record Current, microamps	21	30	22
1 kHz Output, millivolts	2.4	1.9	2.2
10 kHz/1 kHz Ratio, dB	-12	-11	-11

HEAD WITH SIDE MOUNT CONFIGURATION

SPECIFY: -SU
TRACK ABOVE CENTER LINE

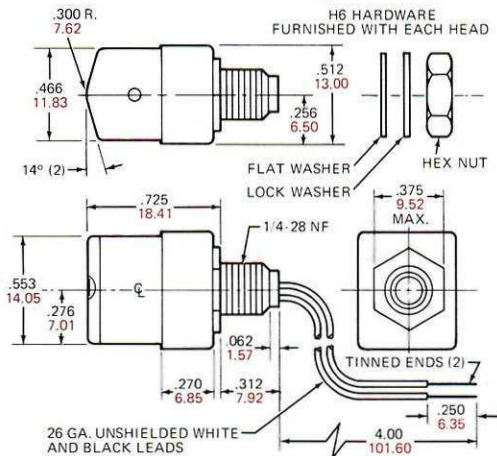


SPECIFY: -SD
TRACK BELOW CENTER LINE



HEAD WITH REAR MOUNT CONFIGURATION

UNSHIELDED LEADS



SHIELDED LEADS

