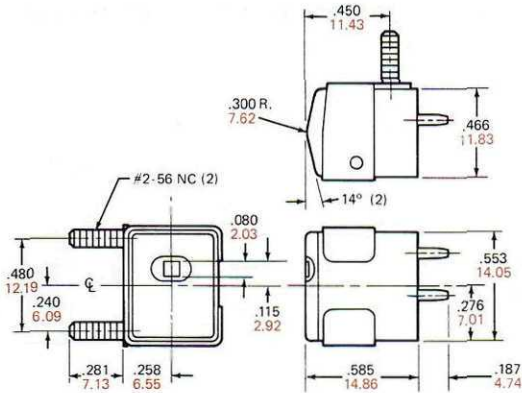


P-G1H – PREMIUM SERIES

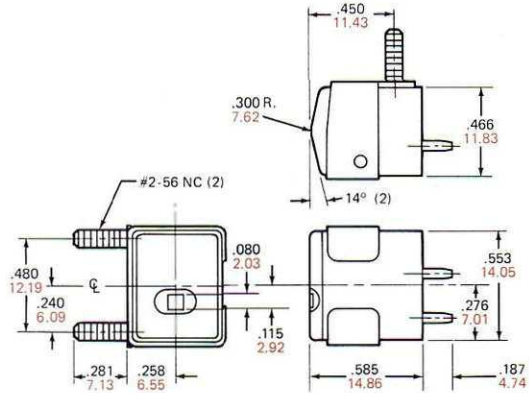
ELECTRICAL	MODEL NUMBER			
	P-G1H 4K	P-G1H 4R	P-G1H 7K	P-G1H 2K
Head Function	Record/ Playback	Record Only	Record/ Playback	Record/ Playback
Inductance – 1 kHz - millihenrys	100	50	400	800
Impedance – 1 kHz - ohms	650	320	2550	5000
Resistance, D.C., Mono, ohms	70	70	160	400
Gap Length, microinches	100	500	100	100
Average 7.5 IPS constant current record/playback characteristics using 3M150 tape peak biased @ 1 kHz and recorded 12 dB below tape saturation				
Peak Bias Current, 60 kHz, ma	0.65	0.70	0.22	0.25
Bias Voltage, RMS, 60 kHz, volts	17	9.0	36	56
Record Current, microamps	58	75	30	21
1 kHz Output, millivolts	1.5	—	2.4	3.6
10 kHz/1 kHz ratio, dB	+1.0	—	+1.0	+3
Average 3.75 IPS constant current record/playback characteristics using 3M150 tape peak biased @ 1 kHz and recorded 12 dB below tape saturation				
Peak Bias Current, 60 kHz, ma	0.55	0.60	0.20	0.23
Bias Voltage, RMS, 60 kHz, volts	14	8.0	32	49
Record Current, microamps	51	65	28	20
1 kHz Output, millivolts	1.2	—	2.1	2.4
10 kHz/1 kHz ratio, dB	-9	—	-9	-5

HEAD WITH SIDE MOUNT CONFIGURATION

SPECIFY: –SU
TRACK ABOVE CENTER LINE

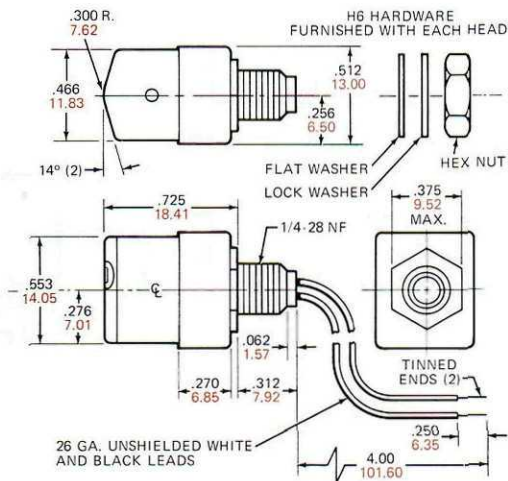


SPECIFY: –SD
TRACK BELOW CENTER LINE



HEAD WITH REAR MOUNT CONFIGURATION

UNSHIELDED LEADS



SHIELDED LEADS

