

SEH Half Track Stereo Erase

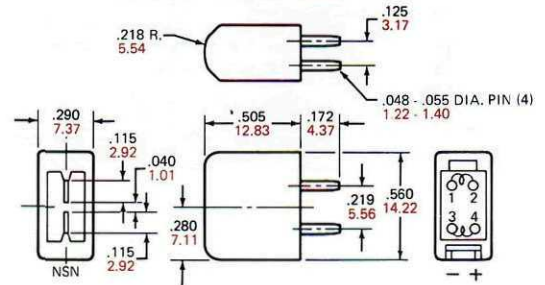


PHYSICAL CONFIGURATIONS

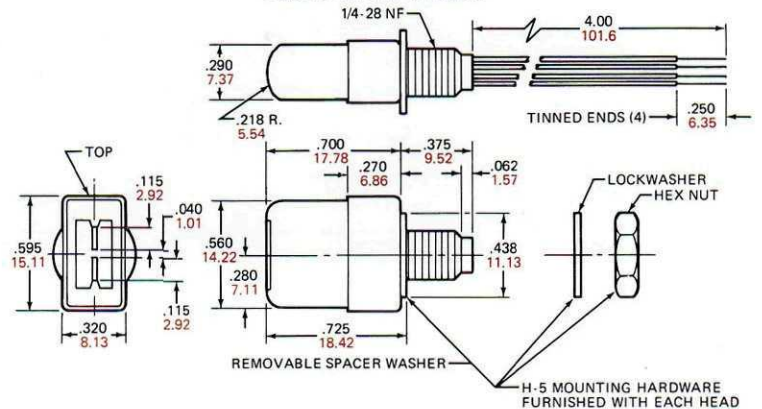
NOTE:
INCHES IN BLACK
MILLIMETERS IN COLOR

ELECTRICAL	MODEL NUMBER		
	SEH 1	SEH 2	SEH 4
Inductance - 1 kHz - millihenrys	50	0.2	10
Resistance, D.C., ohms	130	1.8	27
Track Width, inches	.110	.110	.110
Gap Length, Double Gap, each	.003	.003	.003
Typical characteristics for 60 dB erasure of a 400 Hz saturated signal on 3M150 tape			
Erase Voltage - 60 kHz, volts	120	6	40
Erase Current, ma	10	120	20
Impedance - 60 kHz, ohms	12,000	55	2,500

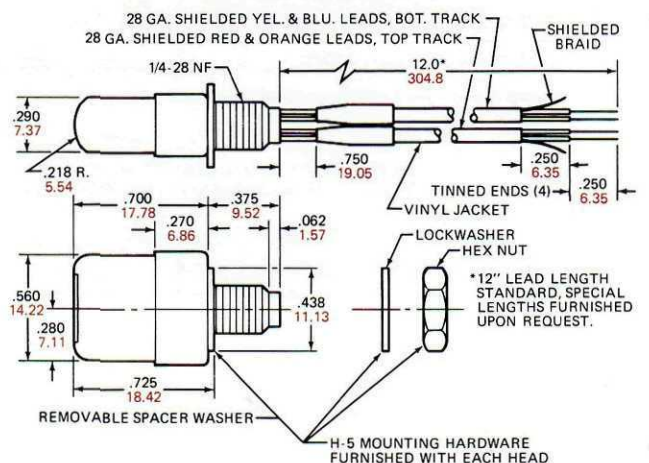
BASIC HEAD CONFIGURATION – NO MOUNT SPECIFY: SSEH___-N9



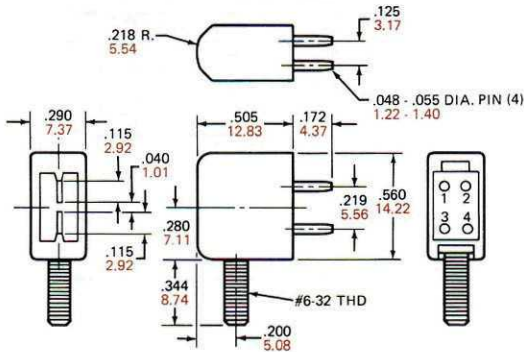
HEAD WITH REAR MOUNT CONFIGURATION SPECIFY: SSEH___-R-4U UNSHIELDED LEADS



HEAD WITH REAR MOUNT CONFIGURATION SPECIFY: SSEH___-R-12S SHIELDED LEADS



HEAD WITH BASE MOUNT CONFIGURATION SPECIFY: SSEH___-B3



HEAD WITH SIDE MOUNT CONFIGURATION SPECIFY: LSEH___-S23

