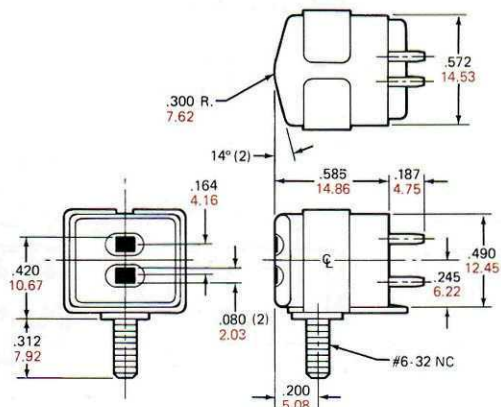


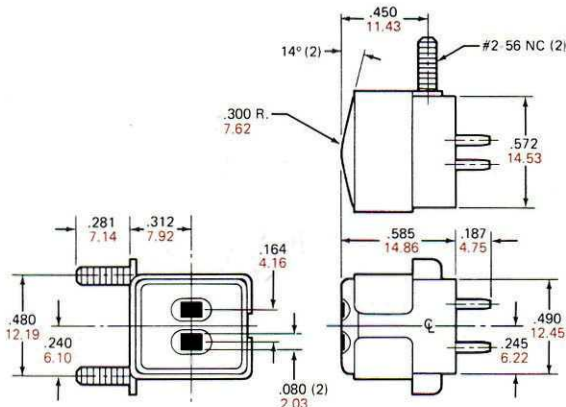
P-B2H – PREMIUM SERIES

ELECTRICAL	MODEL NUMBER								
	P-B2H 11R	P-B2H 8K	P-B2H 8R	P-B2H 4K	P-B2H 4R	P-B2H 6K	P-B2H 7K	P-B2H 7F	P-B2H 2K
Head Function (Typical)	Record Only	Record/ Playback	Record Only	Record/ Playback	Record Only	Record/ Playback	Record/ Playback	Playback Only	Playback Only
Inductance - 1 kHz - millihenrys	1.5	20	10	100	50	200	400	400	800
Impedance - 1 kHz - ohms	15	150	75	650	330	1,300	2,550	2,500	5,000
Resistance, D.C. Stereo, ohms	4	28	28	120	115	210	410	410	720
Gap Length, microinches	500	100	500	100	500	100	100	50	100
1 kHz Crosstalk Rejection, dB	50	50	50	50	50	50	50	50	50
Average 7.5 IPS constant current record/playback characteristics using 3M150 tape peak biased @ 1 kHz and recorded 12 dB below tape saturation									
Peak Bias Current, 60 kHz, ma	5	1.8	1.9	.65	.72	.40	.22	.25	.25
Bias Voltage, RMS, 60 kHz, volts	2	7	5	17	11.5	30	36	.35	56
Record Current, microamps	370	180	170	58	68	45	30	31	21
1 kHz Output, millivolts	—	0.5	—	1.5	—	1.8	2.4	2.5	3.6
10 kHz/1 kHz Ratio, dB	—	0	—	+1	—	+1	+1	+2	+3
Average 3.75 IPS constant current record/playback characteristics using 3M150 tape peak biased @ 1 kHz and recorded 12 dB below tape saturation									
Peak Bias Current, 60 kHz, ma	4	1.5	1.7	.55	.68	.30	.20	.22	.23
Bias Voltage, RMS, 60 kHz, volts	1.8	6	4.5	14	10.5	25	32	42	49
Record Current, microamps	300	150	160	51	65	40	28	30	20
1 kHz Output, millivolts	—	0.4	—	1.2	—	1.2	2.1	2	2.4
10 kHz/1 kHz Ratio, dB	—	-8	—	-9	—	-9	-9	-7	-5

BASE MOUNT CONFIGURATION SPECIFY: B

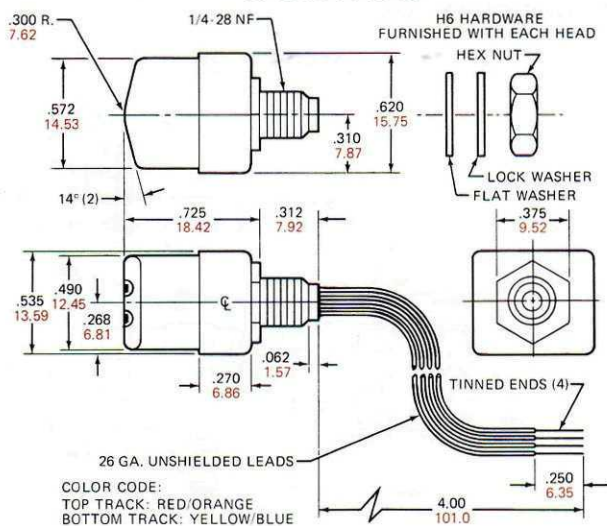


SIDE MOUNT CONFIGURATION SPECIFY: S



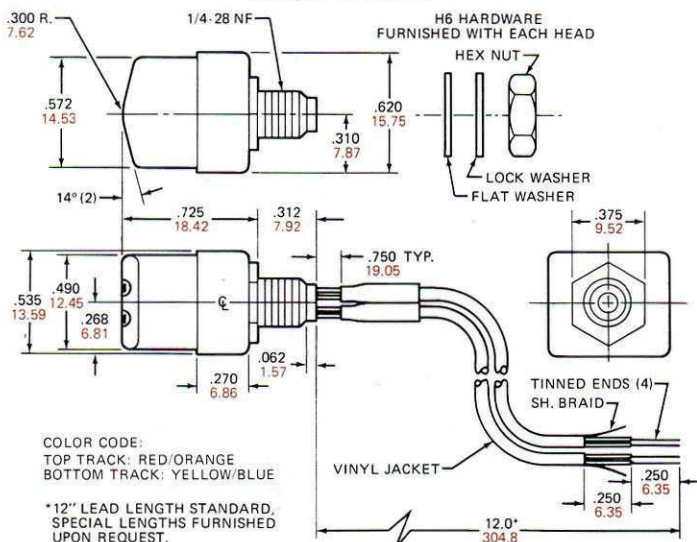
REAR MOUNT CONFIGURATION

SPECIFY: R-4U



UNSHIELDED LEADS

SPECIFY: R-12S



SHIELDED LEADS